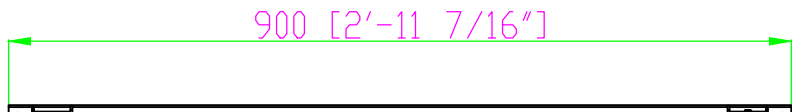


300 [11 13/16"]

850 [2'-9 15/32"]

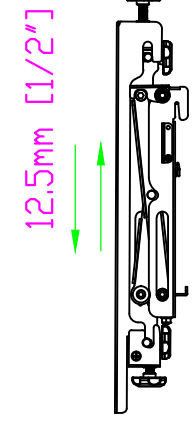
26 [1 1/32"]
80 [3 5/32"]



900 [2'-11 7/16"]

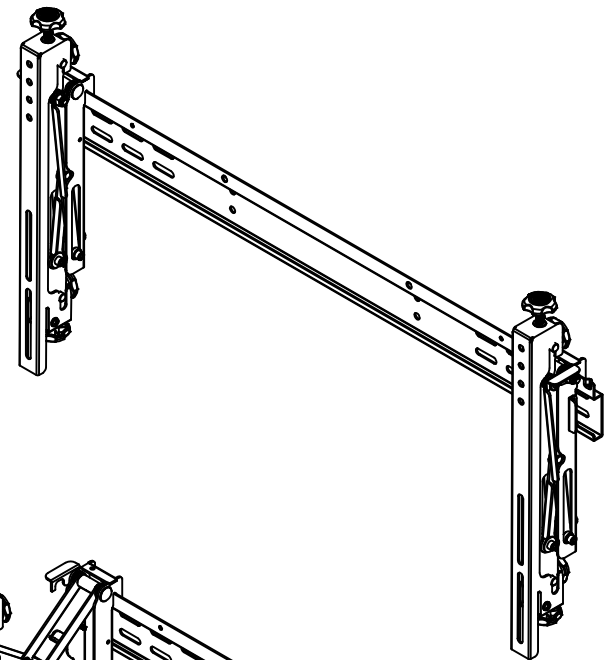


100~800



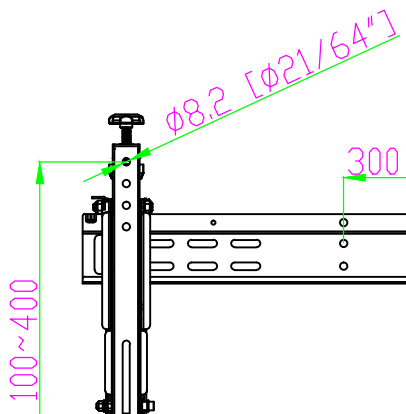
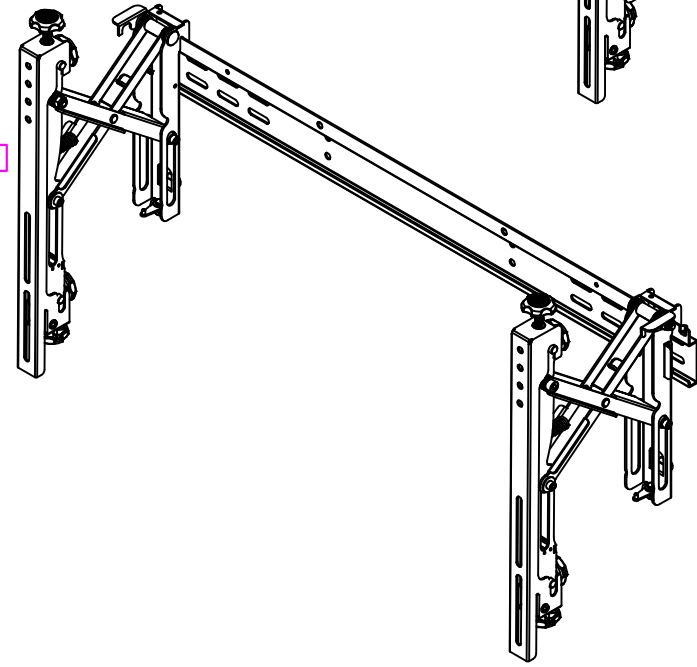
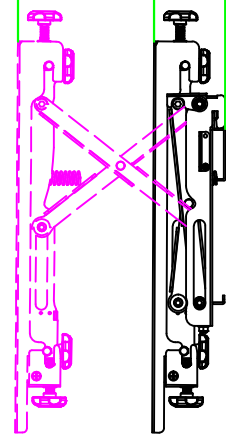
12.5mm [1/2"]

12.5MM [1/2"]



238.7 [9 13/32"]

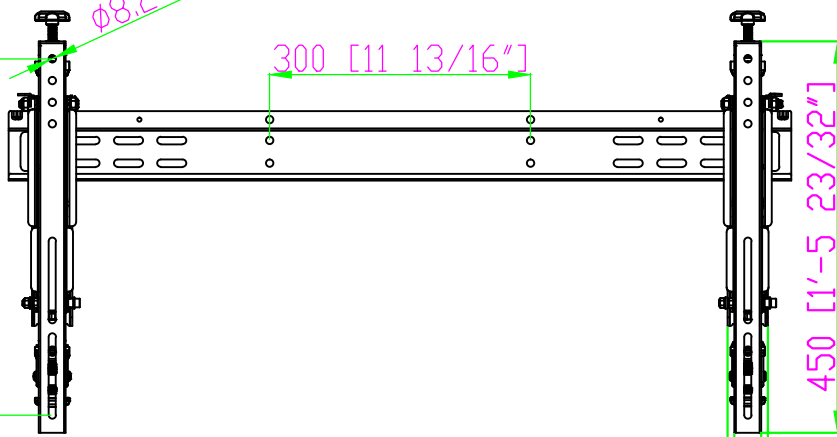
82.3 [3 15/64"]



100~400

φ8.2 [φ21/64"]

300 [11 13/16"]



450 [1'-5 23/32"]

31 [1 7/32"]

46.5 [1 53/64"]

MAKE	PRIMEVIEW	PRIMEVIEW ADVANCED DISPLAY SOLUTIONS
DATE	1/1/2016	
0~30	±0.1	MODEL PRVWMV2-L
30~120	±0.25	DRAWN BY Y.J
120~315	±0.4	
315~1000	±0.7	
ANG	±1°	